

Raceway Solutions for Healthcare Applications

Walker Wallduct is a high capacity raceway for use in walls or ceilings. It can be mounted to the wall surface or flush with the wall to meet equipment layout and room designs. The lay-in feature for enclosure of wire and cable is ideal for use in healthcare rooms, under raised floors, or as a large capacity feeder for perimeter raceway. The cover plates are easily removed for wire and cable access. Wallduct can be used with Trenchduct to carry wire and cables from cabinets to egress points anywhere on the floor or wall. Aluminum Wallduct for applications requiring nonferrous metal raceways such as X-ray and MRI scan rooms is also available. Walker Wallduct is UL Listed to U.S. and Canadian safety standards.



Wallduct is ideal for use in medical scan rooms.

Features & Benefits

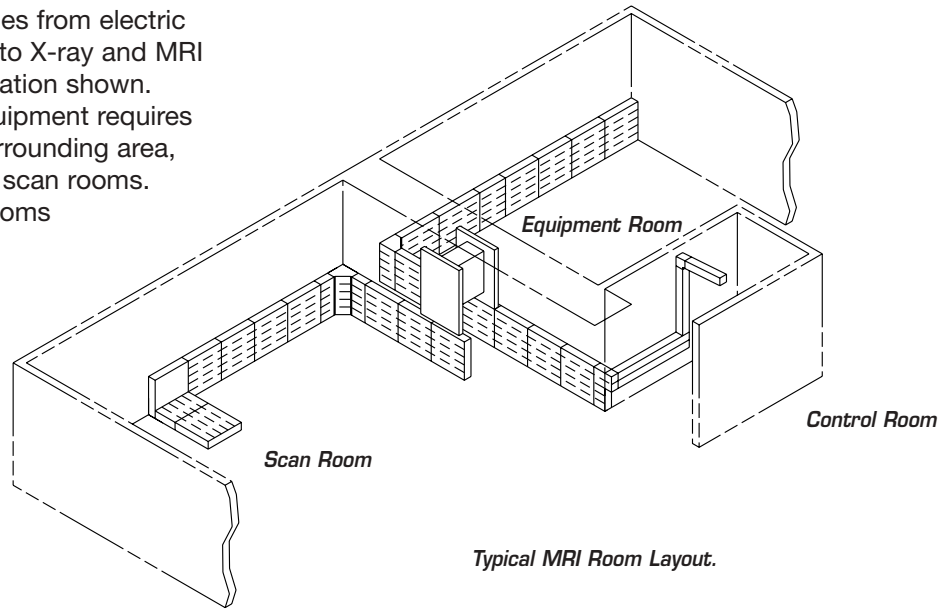
- **Constructed of galvanized steel or aluminum.** Provides extra corrosion resistance and is easily painted to match any room interior.
- **Interior couplings.** Offer improved aesthetics when surface mounted.
- **Complete line of fittings.** Reduces field modifications by minimizing installation time and costs.
- **AutoCAD® capabilities for detailing project drawings.** Provides high quality detailing information with the option of electronic communication for a quicker, more accurate exchange of information.
- **Three standard widths.** Provide cable and wire requirements for most applications.



Walker Wallduct Steel or Aluminum Raceway with lay-in features for enclosure of wire and cable.

Wallduct System Layouts

Wallduct is commonly used in the healthcare market to feed wires and cables from electric and communication cabinets to X-ray and MRI equipment. See typical application shown. Because some healthcare equipment requires nonmetallic material in the surrounding area, aluminum Wallduct is used in scan rooms. The equipment and control rooms generally use steel Wallduct.

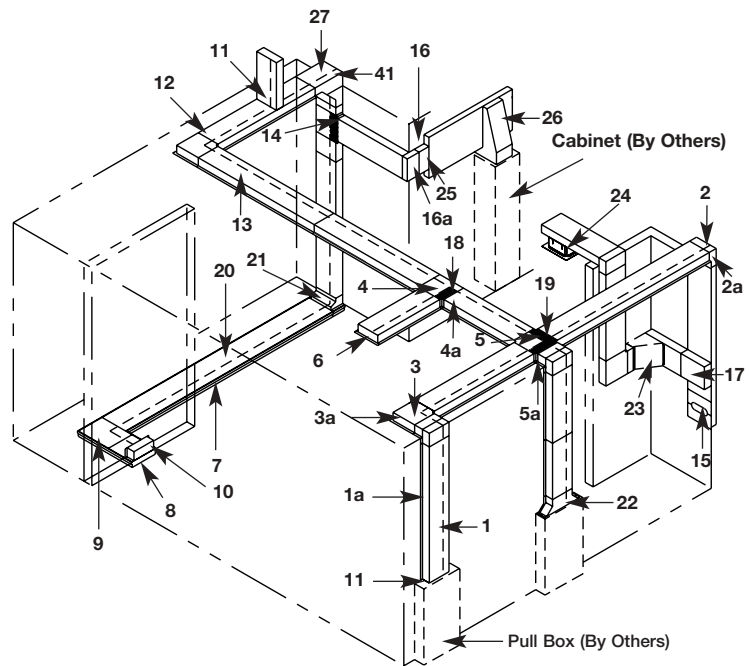


Typical MRI Room Layout.

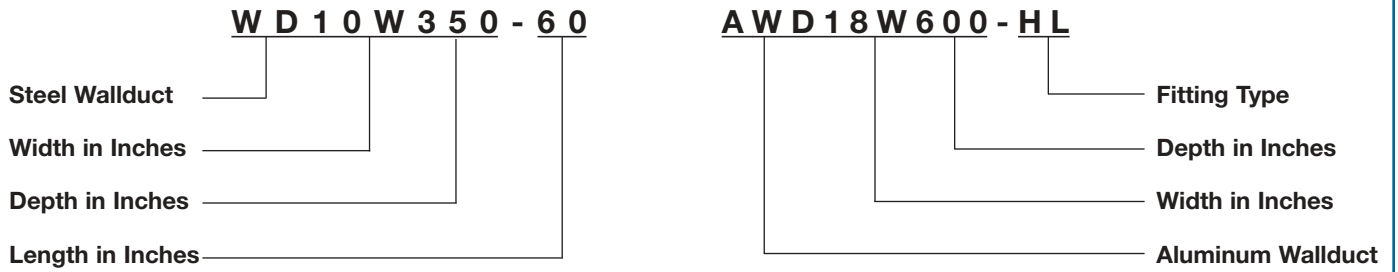
Wallduct and Trenchduct Legend

Item	Catalog No.	Description
1	WD10W350-60	5'-0" [1524mm] Straight Length.
1a	CP10-F30	30" [762mm] L Flush Cover Plate.
2	WD10W350-IL	Internal Wallduct Elbow.
2a	CP10-ILF	Internal Wallduct Elbow Cover Flush.
3	WD10W350-HL	Horizontal Wallduct Elbow.
3a	CP10-HLF	Horizontal Wallduct Elbow Cover Flush.
4	WD10W350-T	Wallduct T-Unit.
4a	CP10-TF	Wallduct T-Unit Cover Flush.
5	WD10W350-X	Wallduct X-Unit.
5a	CP10-XF	Wallduct X-Unit Cover Flush.
6	WD10W350-ECF	Wallduct End Closure.
7	VA12W250H-5	VA Style Trenchduct 12" Wide x 2 1/2" Deep [304mm x 63mm].
8	VA12W250H-EC	VA Style Trenchduct End Closure.
9	VA12W250H-LL	VA Style Trenchduct Horizontal Elbow (Left Hand).
10	VA12W-VR10	VA Style Trenchduct Vertical Riser.
11	WD10W350-CC/DO	Wallduct Cabinet Connector.
12	WD350-CP	Corner Partition.
13	WD350-P60	Straight Partition.
14	WD10W350-TUN	T-Unit Straight Tunnel.
15	WD10-ACPF	Access Cover Plate With Grommet.
16	WD10W350-EL	Wallduct External Elbow.
16a	CP10W350-ELF	Wallduct External Elbow Cover Flush.
17	WD10W350-FST	Wallduct Flush to Surface Transition.
18	WD10W350-LTUN	T-Unit Left Hand Tunnel.
19	WD10W350-XTUN	X-Unit Tunnel.
20	T250HZP-5	Trenchduct Partition.
21	VA12W-VL10	Trenchduct Vertical Riser
22	WD10W350-FCCF	Flanged Cabinet Connector Flush.
23	WD10W350-SWTS	Sweep Surface Tee.
24	WD-10CDO	Ceiling Drop Out.
25	WD350-R04	Wallduct Reducer.
26	WD18W350-SWCCS	Sweep Cabinet Connector Surface.
27	WD10W350-SES	Sweep Elbow Surface.

Wallduct can be installed in the wall exposing only the cover plate, or it can be wall mounted exposing the entire surface. Wallduct may also be installed overhead to connect cables/wires between rooms. Trenchduct can be used in combination with Wallduct as a feeder or for access points in the floor to feed equipment. Diagram below is for illustration only. It does not portray typical installation of products



Catalog Numbering Sequence

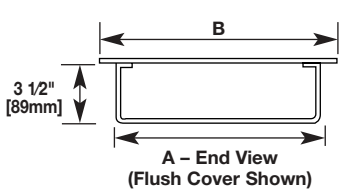
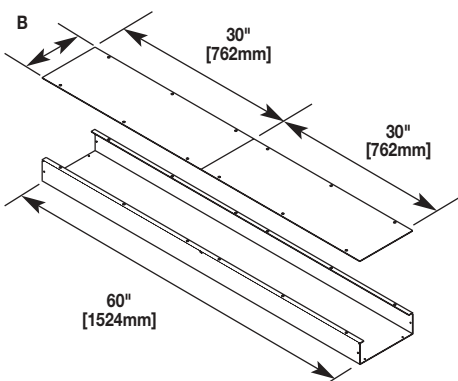


Wallduct Sizes Available						
Depth \ Width	Width	6" [152mm]	10" [254mm]	18" [457mm]	24" [610mm]	30" [762mm]
3 1/2"	[89mm]	*	*	*	*	
6"	[152mm]	*	*	*	*	*
8"	[203mm]		*	*		
12"	[305mm]			*		

IMPORTANT

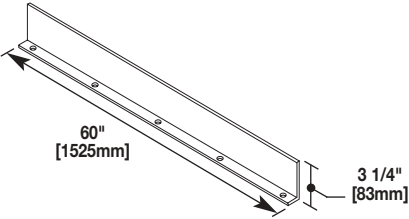
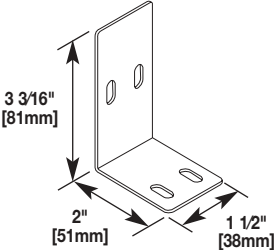
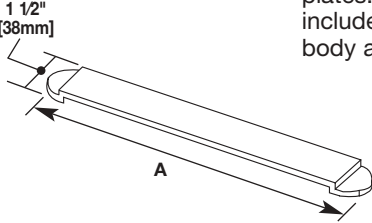
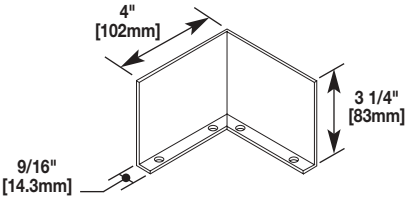
Stock sizes are 10" x 3 1/2" [254mm x 89mm] and 18" x 3 1/2" [457mm x 89mm]. Only 5' [1.3m] lengths available. Only 3 1/2" [89mm] depth catalog numbers are included in this literature. Use catalog numbering sequence to create other available catalog numbers. Change width and depth according to sizes on chart above. For aluminum version, add the letter "A" to the beginning of the catalog number.

Wallduct Bodies and Covers

Catalog No./Item	Description/Specifications
<p>Bodies</p> <p>WD06W350-60 6" [152mm]</p> <p>WD10W350-60 10" [254mm]</p> <p>WD18W350-60 18" [457mm]</p> <p>Surface Covers</p> <p>CP06-S30 6" [152mm]</p> <p>CP10-S30 10" [254mm]</p> <p>CP18-S30 18" [457mm]</p> <p>Flush Covers</p> <p>CP06-F30 8" [203mm]</p> <p>CP10-F30 12" [305mm]</p> <p>CP18-F30 20" [508mm]</p>	<p>Straight Wallduct With Removable Cover Plates – Bodies include two coupling angles, two wire retainers, and assembly screws. Bodies are 5' [1.3m] long and can be field cut to length. Surface flush covers are 30" [762mm] long. Two covers required per body. See page 10 for wire/cable fill capacity information.</p> <div style="text-align: center;">  <p style="font-size: x-small;">A – End View (Flush Cover Shown)</p> </div> <div style="text-align: center;">  </div>

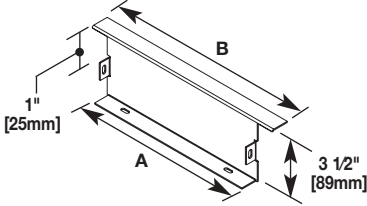
NOTE: To order aluminum products, add the letter "A" to the beginning of the catalog number.

Wallduct Body Accessories

Catalog No./Item	Description/Specifications
WD350-P60	Straight Partition – Used to separate services. Includes assembly screws for field installation.
	
WD350-CA	Coupling Angle – Used for connecting two pieces of Wallduct. Includes assembly screws. Two coupling angles included with every straight body assembly.
	
WD06-WR WD10-WR WD18-WR	Wire Retainer – Used to hold wires in place during installation and to close gap between cover plates if more than 1/8" [3.2mm]. Snap in place prior to installing cover plates. Two wire retainers are included with every straight body assembly.
	
WD350-CP	Corner Partition – Used in horizontal elbow to form corner partition. Assembly screws included. Two wire retainers are included with every straight body assembly.
	

NOTE: To order aluminum products, add the letter "A" to the beginning of the catalog number.

End Closure

Catalog No./Item	Description/Specifications										
Surface End Closures WD06W350-ECS WD10W350-ECS WD18W350-ECS	<table style="width: 100%; border: none;"> <tr> <td style="width: 33%; text-align: center;">"A"</td> <td style="width: 33%; text-align: center;">"B"</td> <td style="width: 33%;"></td> </tr> <tr> <td style="text-align: center;">6" [152mm]</td> <td style="text-align: center;">6" [152mm]</td> <td rowspan="3" style="vertical-align: top;"> End Closure – Used to close off end of Wallduct run. Includes assembly screws. </td> </tr> <tr> <td style="text-align: center;">10" [254mm]</td> <td style="text-align: center;">10" [254mm]</td> </tr> <tr> <td style="text-align: center;">18" [457mm]</td> <td style="text-align: center;">18" [457mm]</td> </tr> </table>	"A"	"B"		6" [152mm]	6" [152mm]	End Closure – Used to close off end of Wallduct run. Includes assembly screws.	10" [254mm]	10" [254mm]	18" [457mm]	18" [457mm]
"A"	"B"										
6" [152mm]	6" [152mm]	End Closure – Used to close off end of Wallduct run. Includes assembly screws.									
10" [254mm]	10" [254mm]										
18" [457mm]	18" [457mm]										
Flush End Closures WD06W350-ECF WD10W350-ECF WD18W350-ECF	<table style="width: 100%; border: none;"> <tr> <td style="width: 33%; text-align: center;">"A"</td> <td style="width: 33%; text-align: center;">"B"</td> <td style="width: 33%;"></td> </tr> <tr> <td style="text-align: center;">6" [152mm]</td> <td style="text-align: center;">8" [203mm]</td> <td rowspan="3"></td> </tr> <tr> <td style="text-align: center;">10" [254mm]</td> <td style="text-align: center;">12" [305mm]</td> </tr> <tr> <td style="text-align: center;">18" [457mm]</td> <td style="text-align: center;">20" [508mm]</td> </tr> </table>	"A"	"B"		6" [152mm]	8" [203mm]		10" [254mm]	12" [305mm]	18" [457mm]	20" [508mm]
"A"	"B"										
6" [152mm]	8" [203mm]										
10" [254mm]	12" [305mm]										
18" [457mm]	20" [508mm]										
<p>NOTE: Aluminum end closures available in flush type only.</p>											
											

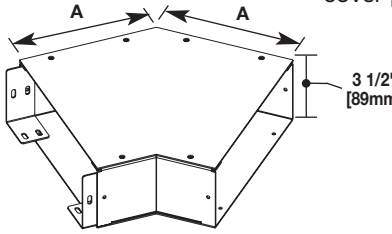
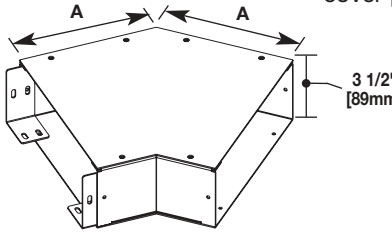
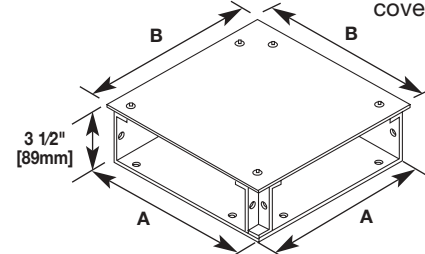
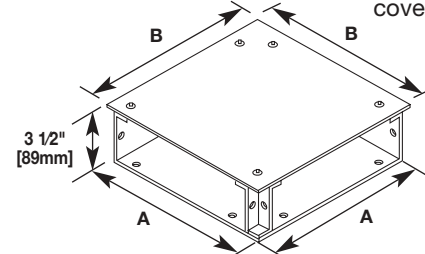
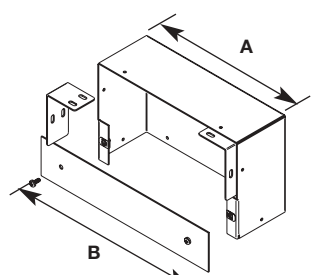
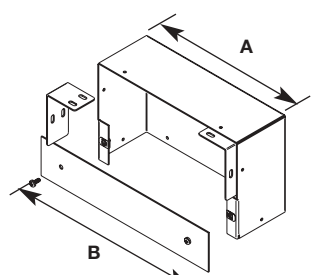
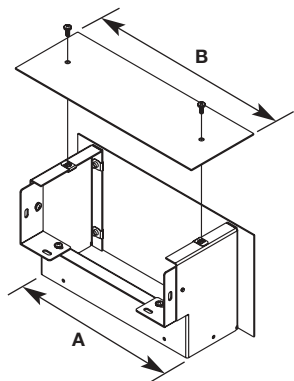
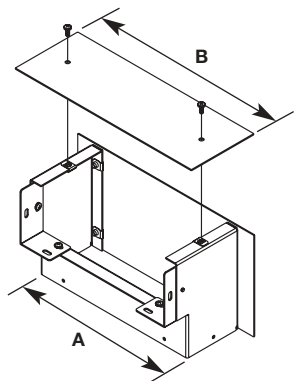
NOTE: To order aluminum products, add the letter "A" to the beginning of the catalog number.

Product Notes

To attach Wallduct to Trenchduct, use vertical risers as shown in the current version of ED738. All field cut openings in Wallduct should be grommeted as needed to protect edges from cutting cables and wires. Order Catalog # 686039-100FT.

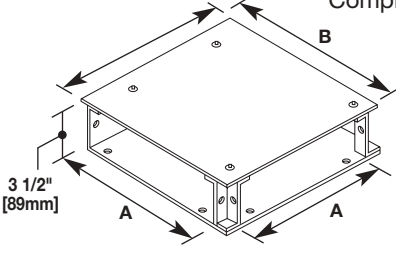
Contact factory for availability of other sizes of Wallduct.

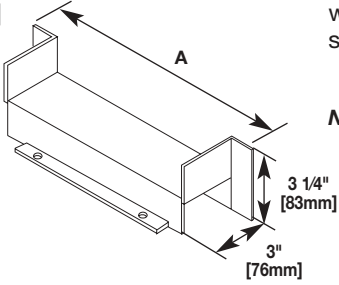
Wallduct Fittings

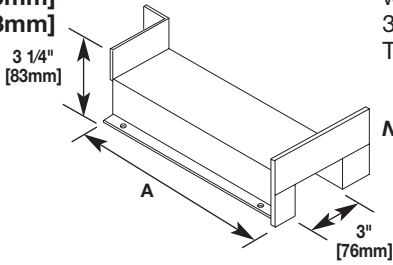
Catalog No./Item			Description/Specifications
Bodies	"A"		45° Elbow – Used to change direction of Wallduct runs 45° on same plane. Includes one pair of coupling angles, one retainer, and assembly screws. Complete unit requires one body and one cover plate.
WD06W350-HL45	6"	[152mm]	
WD10W350-HL45	10"	[254mm]	
WD18W350-HL45	18"	[457mm]	
Surface Covers	"A"		
CP06-HLS-45	5 5/8"	[143mm]	
CP10-HLS-45	7 1/4"	[185mm]	
CP18-HLS-45	10 1/2"	[270mm]	
Flush Covers	"A"		
CP06-HLF-45	6"	[153mm]	
CP10-HLF-45	7 3/4"	[196mm]	
CP18-HLF-45	11"	[280mm]	
Bodies	"A"		Horizontal Elbow – Used to change direction of Wallduct runs 90° on same plane. Includes one pair of coupling angles, one retainer, and assembly screws. Complete unit requires one body and one cover plate.
WD06W350-HL	6"	[152mm]	
WD10W350-HL	10"	[254mm]	
WD18W350-HL	18"	[457mm]	
Surface Covers	"B"		
CP06-HLS	7"	[178mm]	
CP10-HLS	11"	[279mm]	
CP18-HLS	19"	[482mm]	
Flush Covers	"B"		
CP06-HLF	8"	[203mm]	
CP10-HLF	12"	[305mm]	
CP18-HLF	20"	[508mm]	
Bodies	"A"		Internal Elbow – Used to connect vertical and horizontal run at 90° when cover plates are on inside of run. Includes one pair of coupling angles, wire retainer, and assembly screws. Complete unit requires one elbow body and one cover plate.
WD06W350-IL	6"	[152mm]	
WD10W350-IL	10"	[254mm]	
WD18W350-IL	18"	[457mm]	
Surface Covers	"B"		
CP06-ILS	6"	[152mm]	
CP10-ILS	10"	[254mm]	
CP18-ILS	18"	[457mm]	
Flush Covers	"B"		
CP06-ILF	8"	[203mm]	
CP10-ILF	12"	[305mm]	
CP18-ILF	20"	[508mm]	
Bodies	"A"		External Elbow – Used to connect vertical and horizontal run at 90° angle when cover plates are on outside of run. Includes attached coupling angles, wire retainer, and assembly screws. Complete unit requires one elbow body and two cover plates. Flush and surface cover catalog numbers include two covers.
WD06W350-EL	6"	[152mm]	
WD10W350-EL	10"	[254mm]	
WD18W350-EL	18"	[457mm]	
Surface Covers	"B"		
CP06W350-ELS	6"	[152mm]	
CP10W350-ELS	10"	[254mm]	
CP18W350-ELS	18"	[457mm]	
Flush Covers	"B"		
CP06W350-ELF	8"	[203mm]	
CP10W350-ELF	12"	[304mm]	
CP18W350-ELF	20"	[508mm]	

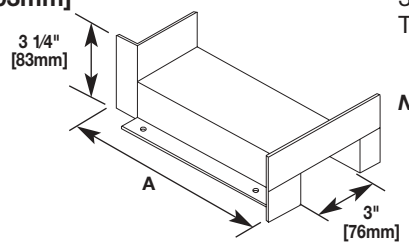
NOTE: To order aluminum products, add the letter "A" to the beginning of the catalog number.

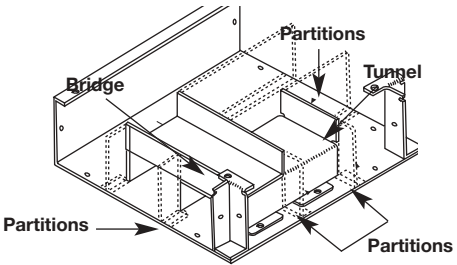
Wallduct Fittings (Continued)

Catalog No./Item			Description/Specifications
Bodies			
WD06W350-T	6"	[152mm]	T-Unit – Used to connect a second run of Wallduct at 90° angle to first run. Includes one pair of coupling angles, one wire retainer, and assembly screws. Complete unit requires one body and one cover plate.
WD10W350-T	10"	[254mm]	
WD18W350-T	18"	[457mm]	
Surface Covers			
CP06-TS	7"	[178mm]	
CP10-TS	11"	[279mm]	
CP18-TS	19"	[482mm]	
Flush Covers			
CP06-TF	8"	[203mm]	
CP10-TF	12"	[304mm]	
CP18-TF	20"	[508mm]	

WD10W350-TUN	11 7/8"	[301mm]		
WD18W350-TUN	19 7/8"	[504mm]		
				
				straight through compartment for one service with crossover for a second service. Assembly screws included.
				NOTE: Not available for 6" [162mm] wide Wallduct.

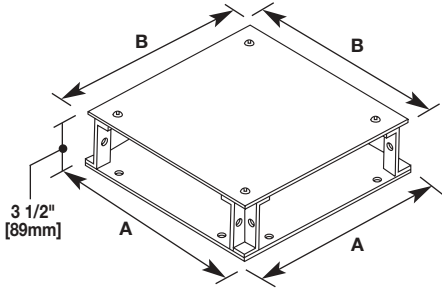
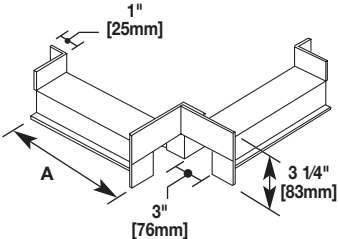
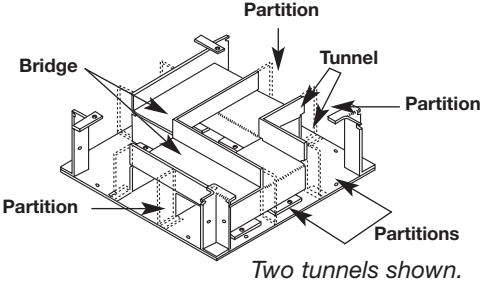
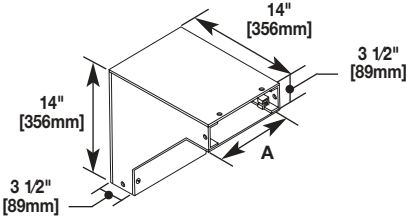
WD10W350-RTUN	7 7/8"	[200mm]		
WD18W350-RTUN	15 7/8"	[403mm]		
				
				Right Hand Tunnel – Used in conjunction with straight partition to form a 90° angle – 3" [76mm] compartment with crossover in T-Unit. Assembly screws included.
				NOTE: Not available for 6" [162mm] wide Wallduct.

WD10W350-LTUN	7 7/8"	[200mm]		
WD18W350-LTUN	15 7/8"	[403mm]		
				
				Left Hand Tunnel – Used in conjunction with straight partition to form a 90° angle – 3" [76mm] compartment with crossover in T-Unit. Assembly screws included.
				NOTE: Not available for 6" [162mm] wide Wallduct.

WD10W350-3TUN				
WD18W350-3TUN				
				
				T-Unit Tunnel – Provides three equal compartments for separation of services in T-Unit. Assembly screws included.
				Purchase partition Catalog No. WD350-P60 separately to complete installation.
				NOTE: Not available for 6" [162mm] wide Wallduct.

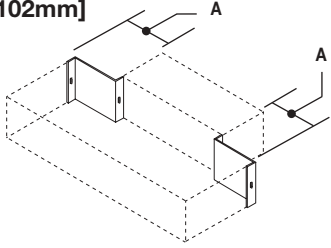
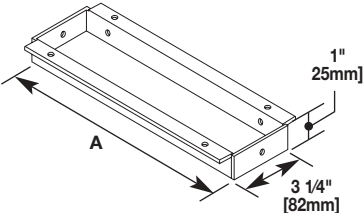
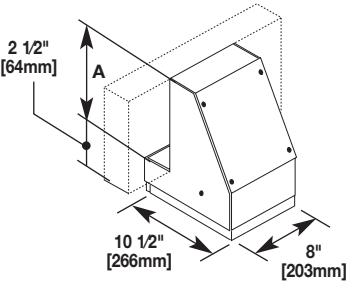
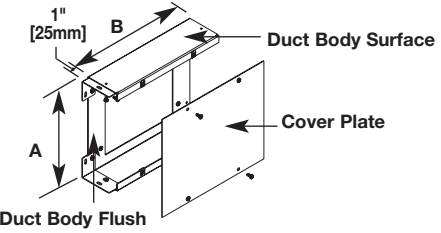
NOTE: To order aluminum products, add the letter "A" to the beginning of the catalog number.

Wallduct Fittings (Continued)

Catalog No./Item	Description/Specifications
<p>Bodies</p> <p>WD06W350-X 6" [152mm]</p> <p>WD10W350-X 10" [254mm]</p> <p>WD18W350-X 18" [457mm]</p> <p>Surface Covers</p> <p>CP06-XS 8" [203mm]</p> <p>CP10-XS 12" [304mm]</p> <p>CP18-XS 20" [508mm]</p> <p>Flush Covers</p> <p>CP06-XF 8" [203mm]</p> <p>CP10-XF 12" [305mm]</p> <p>CP18-XF 20" [508mm]</p>	<p>X-Unit – Used to connect two intersecting runs of Wallduct at a 90° angle. Includes one pair of coupling angles, one wire retainer, and assembly screws. Complete unit requires one body and one cover plate.</p> 
<p>WD10W350-XTUN 6 7/8" [174mm]</p> <p>WD18W350-XTUN 14 7/8" [377mm]</p>	<p>X-Unit Crossover – Used to provide a 90° angle – 3" [76mm] compartment with crossover in X-Unit. Assembly screws included.</p> <p><i>NOTE: Not available for 6" [162mm] wide Wallduct.</i></p> 
<p>WD10W350-3TUN</p> <p>WD18W350-3TUN</p>	<p>X-Unit Tunnel – Provides three equal compartments for separation of services in X-Unit. Assembly screws included.</p> <p>Purchase partition, Catalog No. WD350-P60 separately to complete installation. Complete X-Unit assembly requires two X-unit tunnel units.</p> <p><i>NOTE: Not available for 6" [162mm] wide Wallduct.</i></p> 
<p>WD06W350-SES</p> <p>WD10W350-SES</p> <p>WD18W350-SES</p>	<p>Sweep Elbow – Used to connect vertical and horizontal runs of Wallduct at a 90° angle with a 45° internal sweep radius. Includes one pair of coupling angles and assembly screws. For partition use Catalog No. WD350-PSE Series.</p> <p><i>NOTE: Not available in flush cover version.</i></p> 

NOTE: To order aluminum products, add the letter "A" to the beginning of the catalog number.

Wallduct Accessories

Catalog No./Item	Description/Specifications
<p>WD350-RO2 WD350-RO4</p> <p style="margin-left: 20px;">“A” 2" [51mm] 4" [102mm]</p> 	<p>Reducer Coupling – Used to reduce Wallduct width by 4" [102mm] or 8" [204mm]. Two piece unit allows 18" [457mm] wide Wallduct to be reduced to 10" [254mm] wide, or 10" [254mm] wide to be reduced to 6" [152mm] wide. Can also be used on other sizes as needed. Assembly screws included.</p>
<p>WD06W350-CC/DO WD10W350-CC/DO WD18W350-CC/DO</p> <p style="margin-left: 20px;">“A” 5 3/4" [146mm] 9 3/4" [247mm] 17 3/4" [450mm]</p> 	<p>Cabinet Connector/Drop Out – Used to connect ends of Wallduct run to panel/cabinet. Also used to connect two runs of Wallduct at a 90° angle when one run butts up to the bottom or top of the other. Assembly screws included.</p>
<p>WD06W350-SWCCS WD10W350-SWCCS WD18W350-SWCCS</p> <p style="margin-left: 20px;">“A” 6" [152mm] 10" [254mm] 18" [457mm]</p> 	<p>Sweep Cabinet Connector – For use with GE medical equipment. Attaches to 6" x 3 1/2" [152mm x 89mm], 10" x 3 1/2" [254mm x 89mm], or 18" x 3 1/2" [457mm x 89mm] horizontal surface Wallduct.</p> <p><i>NOTE: Not available in aluminum.</i></p>
<p>WD06W350-FST WD10W350-FST WD18W350-FST</p> <p style="margin-left: 20px;">“A” 6" [152mm] 10" [254mm] 18" [457mm]</p> <p style="margin-left: 20px;">“B” 8" [203mm] 12" [304mm] 20" [508mm]</p> 	<p>Transition – Used to form a junction between flush and surface Wallduct at a 90° angle. Includes assembly screws, clips, one wire retainer and two coupling angles.</p>

NOTE: To order aluminum products, add the letter "A" to the beginning of the catalog number.

Wallduct Accessories (Continued)

Catalog No./Item			Description/Specifications
Surface Covers WD06-ACPS WD10-ACPS WD18-ACPS	"A" 6" [152mm] 10" [254mm] 18" [457mm]		Access Cover Plate – Two-piece cover with grommets hole in center. Can be installed at any location by match drilling eight holes in duct body flanges and attaching speed nuts. Includes assembly screws and grommet.
Flush Covers WD06-ACPF WD10-ACPF WD18-ACPF	"A" 7" [178mm] 11" [279mm] 19" [482mm]		
Sweep Tee WD06W350-SWTS WD10W350-SWTS WD18W350-SWTS	"A" 6" [152mm] 10" [254mm] 18" [457mm]		Sweep Tee – Used to connect horizontal and vertical runs of Wallduct at a 90° angle with sweep radius. Includes one pair of coupling angles and assembly screws. NOTE: Not available in flush cover version.
Flanged Connector WD06W350-FCCS WD10W350-FCCS WD18W350-FCCS WD06W350-FCCF WD10W350-FCCF WD18W350-FCCF	"A" 16" [406mm] 22" [559mm] 24" [610mm] 18" [457mm] 24" [610mm] 26" [660mm]		Flanged Cabinet Connector – Used to connect end of Wallduct run to panel cabinet. Assembly screws included. Use .166" [4.2mm] diameter (#19 drill) for assembly. NOTE: Not available in aluminum.
Ceiling Drop Out WD-10CDO WD-10CDOD	"A" 4" [102mm] to 5 3/4" [146mm] 5 1/2" [140mm] to 7 1/4" [184mm]		Ceiling Drop Out – Used to drop cables and wires from Wallduct in ceiling to imaging equipment. Available in 10" [254mm] width only. Units have adjustable depth.

NOTE: To order aluminum products, add the letter "A" to the beginning of the catalog number.

Wallduct Replacement Hardware

Part No:	Description/Specifications	Part No:	Description/Specifications
1002412	Hardware Bag – Eight pieces 10-32 x 1/4" screws and twelve pieces of 10-32 x 7/16" screws for attaching steel Wallduct components.	1002414	Hardware Bag – Eight pieces 10-32 x 1/2" stainless steel screws and eight pieces of 10-32 x 1/4" stainless steel screws for attaching aluminum Wallduct components.
1000883	Hardware Bag – Twelve pieces 10-32 clips for attaching steel or aluminum cover plates.		

Wire Fill Capacity

Use these steps to determine wire fill capacity in Wallduct.

Step 1: Determine the internal raceway area by multiplying the overall width by the overall depth (subtract material thickness).

Example: Assume a raceway 10" wide by 4" deep. Subtract the material thickness from each dimension (see below). This results in internal raceway dimensions of 9.844" (10" - 0.156") wide by 3.922" (4" - 0.078"). The internal area for this raceway size would be 38.6 sq. in. (9.844" x 3.922").

Maximum Raceway Width (In.)	Deduct for Material Thickness Left & Right	Deduct for Material Thickness (Bottom)
6" – 18" Steel	0.156"	0.078"
20" – 30" Steel	0.216"	0.108"
6" – 18" Aluminum	0.200"	0.100"
20" – 30" Aluminum	0.250"	0.125"

Step 2: Determine the number of conductors allowed inside the raceway for a given type and size (types THHN and THWN are shown in Table 1) of the conductor by multiplying the internal area (calculated in Step 1) by the number of conductors allowed per square inch (see table 1)..

Example: Calculate how many No. 6 AWG (THHN) conductors you are allowed to place in the 10" x 4" raceway in Step 1 at 40% wire fill capacity. Multiply the internal area of the raceway by the maximum number of wires allowed per square inch, from table 1. This results in 304 allowable cables (38.6 sq. in. x 7.89).

A 20% fill should be used for systems utilizing fittings that have sharp 90° turns. The derating factors of NEC article 310.15(B)(2)(a) shall apply to conductors installed if the amount of current-carrying conductors exceeds 30 in number, or the sum of the cross-sectional area of all conductors exceeds 20% of the interior cross-sectional area of the raceway. When tunnels are utilized, the internal cross-sectional area must be further reduced by 50%. When partitions are utilized, the internal cross-sectional area must be calculated for each individual compartment.

Table 1 – Steel Wallduct Wire Fill Capacities for Power

WIRE SIZE AWG	DIAMETER		AREA (In ²)		40% FILL (Per Sq. In.)	20% FILL (Per Sq. In.)
	In.	[mm]	Sq. In.	[Sq. mm]		
14	0.111	[2.8]	0.0097	[6.3]	41.24	20.62
12	0.130	[3.3]	0.0133	[8.6]	30.08	15.04
10	0.164	[4.2]	0.0211	[13.6]	18.96	9.48
8	0.216	[5.5]	0.0366	[23.6]	10.93	5.46
6	0.254	[6.5]	0.0507	[32.7]	7.89	3.94
4	0.324	[8.2]	0.0824	[53.2]	4.85	2.43
3	0.352	[8.9]	0.0973	[62.8]	4.11	2.06
2	0.384	[9.8]	0.1158	[74.7]	3.45	1.73

Table 2 – Steel Wallduct Wire Fill Capacities for Data/Communications

	CABLE/WIRE SIZE	DIAMETER		AREA (In ²)		40% FILL (Per Sq. In.)	20% FILL (Per Sq. In.)
		In.	[mm]	Sq. In.	[Sq. mm]		
UNSHIELDED TWISTED PAIR	4-Pair, Cat 5e	0.220	[5.6]	0.0381	[24.6]	10	5
	4-Pair, Cat 6	0.250	[6.4]	0.0491	[31.7]	14	7
TELEPHONE	2-Pair, 24 AWG	0.140	[3.5]	0.0154	[9.9]	20	13
	4-Pair, 24 AWG	0.190	[4.8]	0.0263	[18.2]	14	7
	25-Pair, 24 AWG	0.410	[10.4]	0.1321	[85.2]	3	1
COAXIAL	RG58/U	0.195	[4.9]	0.0298	[19.2]	13	6
	RG59/U	0.242	[6.1]	0.0459	[29.6]	9	4
	RG6/U	0.270	[6.8]	0.0572	[36.9]	7	3
SHIELDED TWISTED PAIR	TYPE 1	0.390	[9.9]	0.1194	[77.0]	3	1
	TYPE 2	0.465	[11.8]	0.1698	[109.5]	2	1
	TYPE 3	0.245	[6.2]	0.0471	[30.4]	0	4
FIBER OPTIC	2-STRAND	0.180	[4.6]	0.0254	[16.4]	10	8
	4-STRAND	0.190	[4.8]	0.0263	[15.3]	14	7
	6-STRAND	0.210	[5.3]	0.0346	[22.3]	11	5
	FIBER ZIP CORD	0.110	[2.8]	0.0095	[6.1]	42	21

NOTE: Wire diameters can vary depending on manufacturer. Verify diameter and adjust fill capacities as required. Values are per one square inch of Wallduct area.

To Wiremold.com
 Editable Guide Form Specs
 CAD Drawings

WallDuct Take-Off Sheet

Project Name: _____

Location: _____

1. Enter the correct size and width of each part number (WD"6"W"350"-60).
2. Provide correct covers, dividers, tunnels, hardware, fittings as required.
3. Provide correct part number of covers per bodies of WallDuct (two covers per WallDuct body).

	Run #		Run #
WD__W__-60	Body	WD__W__-60	Body
CP__W__-S30	Surface Cover	CP__W__-S30	Surface Cover
CP__W__-F30	Flush Cover	CP__W__-F30	Flush Cover
WD__-P60	Straight Partition	WD__-P60	Straight Partition
WD__-CA	Coupling Angle	WD__-CA	Coupling Angle
WD__-WR	Wire Retainer	WD__-WR	Wire Retainer
WD__-CP	Corner Partition	WD__-CP	Corner Partition
WD__W__-ECS	Surface End Closure	WD__W__-ECS	Surface End Closure
WD__W__-ECF	Flush End Closure	WD__W__-ECF	Flush End Closure
WD__W__-HL45	45° Elbow Body	WD__W__-HL45	45° Elbow Body
CP__-HLS-45	45° Elbow Surface Cover	CP__-HLS-45	45° Elbow Surface Cover
CP__-HLF-45	45° Elbow Flush Cover	CP__-HLF-45	45° Elbow Flush Cover
WD__W__-HL	Horizontal Elbow Body	WD__W__-HL	Horizontal Elbow Body
CP__-HLS	Horizontal Surface Cover	CP__-HLS	Horizontal Surface Cover
CP__-HLF	Horizontal Flush Cover	CP__-HLF	Horizontal Flush Cover
WD__W__-IL	Internal Elbow Body	WD__W__-IL	Internal Elbow Body
CP__-ILS	Internal Elbow Surface Cover	CP__-ILS	Internal Elbow Surface Cover
CP__-ILF	Internal Elbow Flush Cover	CP__-ILF	Internal Elbow Flush Cover
WD__W__-EL	External Elbow Body	WD__W__-EL	External Elbow Body
CP__W__-ELS	External Elbow Surface Cover	CP__W__-ELS	External Elbow Surface Cover
CP__W__-ELF	External Elbow Flush Cover	CP__W__-ELF	External Elbow Flush Cover
WD__W__-T	T-Unit Body	WD__W__-T	T-Unit Body
CP__-TS	T-Unit Surface Cover	CP__-TS	T-Unit Surface Cover
CP__-TF	T-Unit Flush Cover	CP__-TF	T-Unit Flush Cover
WD__W__-TUN	Straight Tunnel	WD__W__-TUN	Straight Tunnel
WD__W__-RTUN	Right Hand Tunnel	WD__W__-RTUN	Right Hand Tunnel
WD__W__-LTUN	Left Hand Tunnel	WD__W__-LTUN	Left Hand Tunnel
WD__W__-3TUN	T-Unit Tunnel	WD__W__-3TUN	T-Unit Tunnel
WD__W__-X	X-Unit Body	WD__W__-X	X-Unit Body
CP__-XS	X-Unit Surface Cover	CP__-XS	X-Unit Surface Cover
CP__-XF	X-Unit Flush Cover	CP__-XF	X-Unit Flush Cover
WD__W__-XTUN	X-Unit Crossover	WD__W__-XTUN	X-Unit Crossover
WD__W__-3TUN	X-Unit Tunnel	WD__W__-3TUN	X-Unit Tunnel
WD__W__-SES	Sweep Elbow	WD__W__-SES	Sweep Elbow
WD__-RO2	Reducer Coupling	WD__-RO2	Reducer Coupling
WD__-RO4	Reducer Coupling	WD__-RO4	Reducer Coupling
WD__W__-CC/DO	Cabinet Connector Drop Out	WD__W__-CC/DO	Cabinet Connector Drop Out
WD__W__-SWCCS	Sweep Cabinet Connector	WD__W__-SWCCS	Sweep Cabinet Connector
WD__W__-FST	Transition	WD__W__-FST	Transition
WD__-ACPS	Surface Access Cover Plate	WD__-ACPS	Surface Access Cover Plate
WD__-ACPF	Flush Access Cover Plate	WD__-ACPF	Flush Access Cover Plate
WD__W__-SWTS	Sweep Tee	WD__W__-SWTS	Sweep Tee
WD__W__-FCCS	Flanged Cabinet Connector	WD__W__-FCCS	Flanged Cabinet Connector
WD__W__-FCCF	Flanged Cabinet Connector	WD__W__-FCCF	Flanged Cabinet Connector
WD-10CDO	Ceiling Drop Out	WD-10CDO	Ceiling Drop Out
WD-10CDOD	Ceiling Drop Out	WD-10CDOD	Ceiling Drop Out

WIREMOLD



Wiremold / Legrand

U.S. and International:

60 Woodlawn Street • West Hartford, CT 06110

1-800-621-0049 • FAX 860-232-2062 • Outside U.S. 860-233-6251

Canada:

570 Applewood Crescent • Vaughan, Ontario L4K 4B4

1-800-723-5175 • FAX 905-738-9721

