

Security Escort for College Campuses

Bosch Security Systems
130 Perinton Parkway
Fairport, New York 14450
phone: 800.289.0096
fax: 585.223.9180
www.boschsecurity.us



Security Systems

All rights reserved.
Printed in U.S.A.
part # 47569D

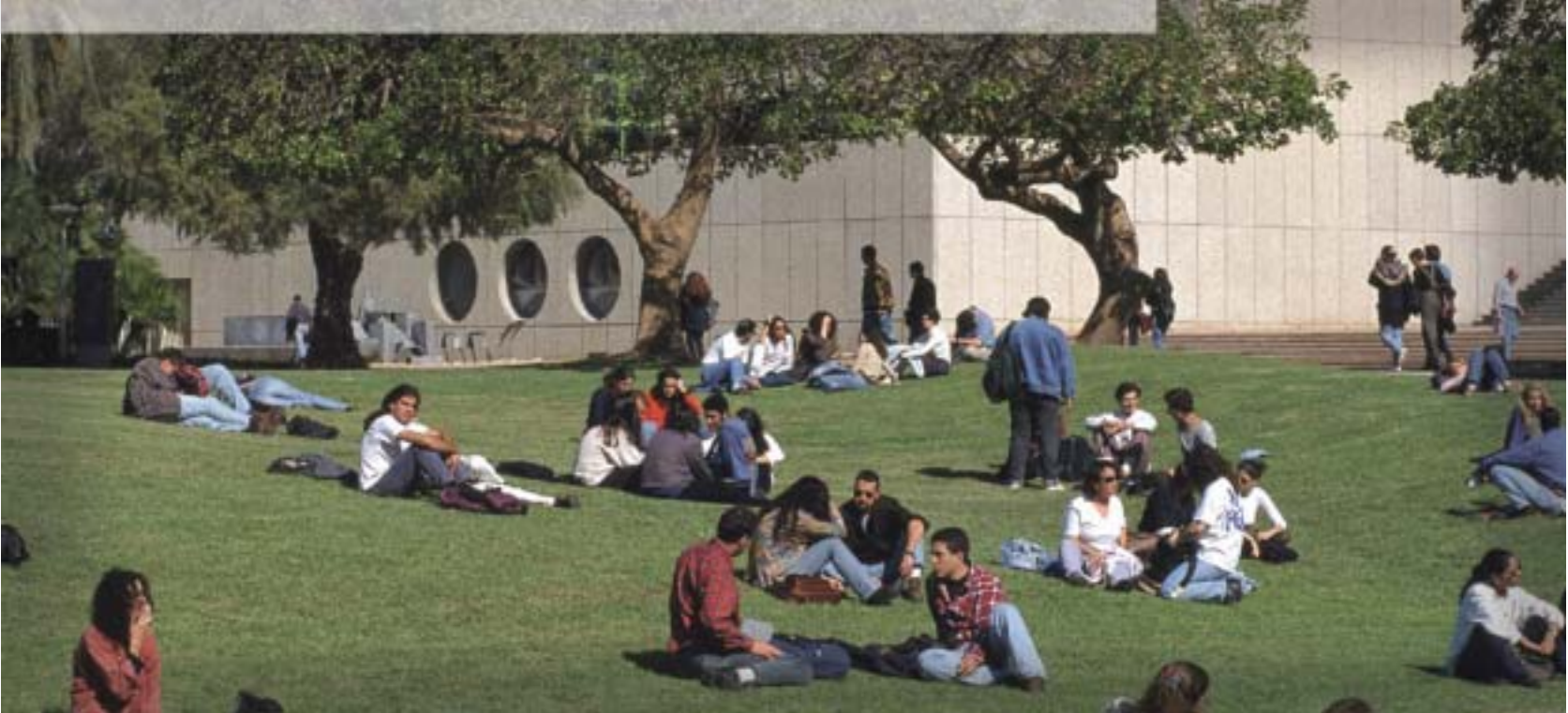
The full security range.

Whether it is a project costing millions or a single-family home, everyone wants to provide the best security possible for their property. Bosch will help by providing the right products and systems for your individual security — no matter how complex your needs.

Our product range encompasses fire, intrusion, holdup, CCTV, time control and access control.

With Bosch, you can easily find the security products and services you've been looking for!

All software images in this brochure are simulations. Please contact your Security Escort salesperson for more information.



Personal help-call and asset tracking system

Security you can rely on.



Security you can rely on.



First in its Class

Bosch Security Systems realizes the importance of safety on college campuses. The benefits of providing students, faculty, or staff members with the ability to call for help instantly, at the touch of a button, are countless. Any time, any place on campus, Security Escort is the answer!

Prevention and Personal Security

The Security Escort system offers 24-hour campus-wide security for all students, faculty, staff members and security personnel.

Using the most advanced digital technology to communicate an alarm signal, users are assigned a small personal transmitter allowing them to activate a call for help. Once a signal has been activated, nearby sirens and flashing strobe lights create an instant awareness of an emergency situation. Most importantly, the signal is received at the central security office.

Identification of the user includes name, photograph, and location, displayed so that help can be immediately dispatched as necessary.

The Security Escort system has additional uses beyond personal security. Guard Tour is a standard operation for campuses nationwide. Security Escort enables security personnel to have continuous guard locating capabilities at their fingertips, and also provides a record of events for the security team to reference. Security Escort can also serve as a security system for valuable assets on campus. The Point Tracker System is a unique wireless tracking device that works in conjunction with state-of-the-art software and the central security unit to alert authorities of a burglary, motion detection or glass breaking incident. The transmitter can easily be attached to computer equipment, valuable art pieces, or any other item of high value or importance.



Features and Benefits of the Security Escort System

- Security Escort can be integrated into most pre-existing CCTV systems
- State-of-the-art security software allows database versatility for a variety of campus needs
- Automatic alpha/numeric paging capabilities alert multiple transmitters and provide the alarm's location
- Multiple alarm generating options including “man-down”, lanyard pull and guard tour features
- Indoor and Outdoor protection including elevators, underground tunnels or basements
- Variety of alarm signals available including sirens, flashing strobe lights and silent alarms.
- Transmitters have a built in test-mode reducing incidents of false alarms and assuring reliability in time of need
- Auto-tracking resends the alarm signal every few seconds
- Protect and locate valuables such as computers and artwork with the Point Tracker System

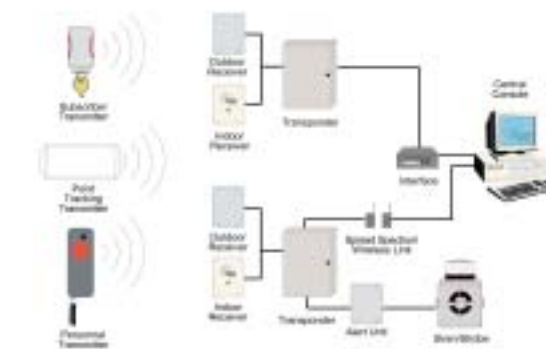


The Alarm Screen instantly identifies user and location. Upon receipt of an alarm, the console software displays a map showing the location of the signal, indicated by the red circle in the map above. During an alarm event, the user's name, photograph and personal information are displayed on the screen which can include medical history, condition, drug allergies, age, height, weight, and more. After initial activation, the system also has the capability to track the movement of the person or item. Updated every 7 seconds, smaller circles indicate past locations. The alarm screen's user-friendly interface makes it easy to manage alarms and dispatch assistance quickly.

For more information on the Security Escort system and other security products, contact your authorized Security Escort dealer today.

Personal Transmitter – Instant help at the touch of a button

System Configuration Diagram



System Components

- Transmitter**
- Transmits alarms, tests and tracking signals
 - Subscriber, Personnel and Asset transmitters available
 - 60,000+ transmitters per system
- Indoor Receiver**
- Receives alarm information and relays it to transponder
 - Provides local sounders and visual test confirmation
 - Up to 64 per transponder
- Outdoor Receiver**
- Receives alarm information and relays it to transponder
 - Fully weather-resistant enclosure
 - Up to 64 per transponder

- Central Console Software**
- Controls system operation
 - Includes system databases
 - Displays user location and information during an alarm event
- Alert Unit**
- Provides alarm annunciation
 - Provides test confirmation through attached siren/strobe
 - Up to 64 per transponder
- Transponder**
- Controls receivers and alert units
 - Provides communication link between receivers, alert units and central console
 - Up to 255 per system